

AAA800

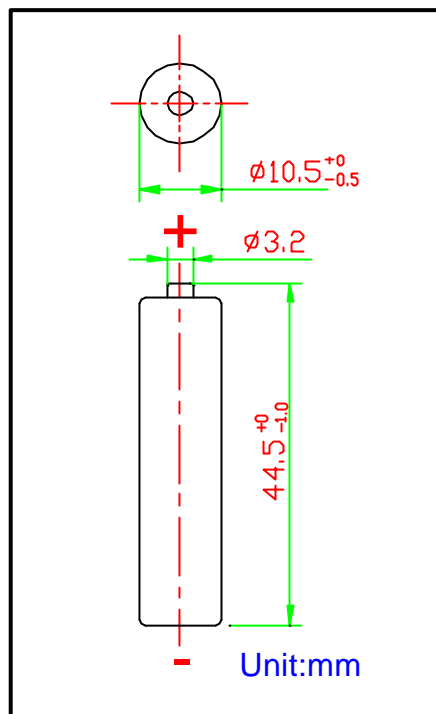
Cylindrical Ni-MH Battery

@ Specification

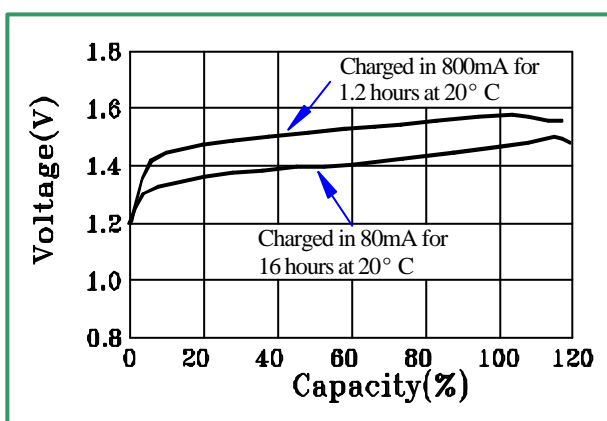
Cross Reference: IEC-HR11/45

Nominal Voltage (V)		1.2
Dimensions	Diameter (mm)	10.5 ⁺⁰ / _{-0.5}
	Height (mm)	44.5 ⁺⁰ / _{-1.0}
Nominal Capacity		800mAh
Apx. Weight (g)		13.5
Internal Impedance		Less than 40mΩ
Cycle Life		500 cycles
Condition		Ambient Temp.
Charge	Standard (80mA)	0°C-40°C
	Fast (800mA)	10°C-40°C
Discharge		-10°C-50°C
Storage	Less than 90days	-10°C-40°C
	Less than 1 year	-10°C-30°C

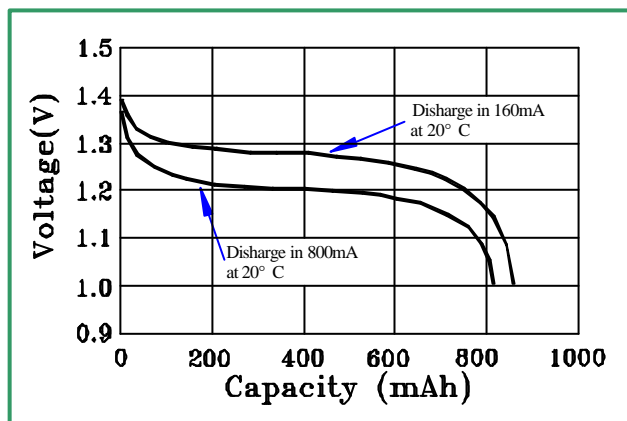
@ Dimensions



@ Typical Charge Characteristics



@ Typical Discharge Characteristics



Add: No.2, Gutang'ao Industrial Area, Huizhou, Guangdong, China
P.C.: 516008
Tel: +86-752-2382997, +86-13502288850
Fax: +86-752-2382786
Website: www.cn-battery.net
E-mail: zhou01@yeah.net

