

ER34615S

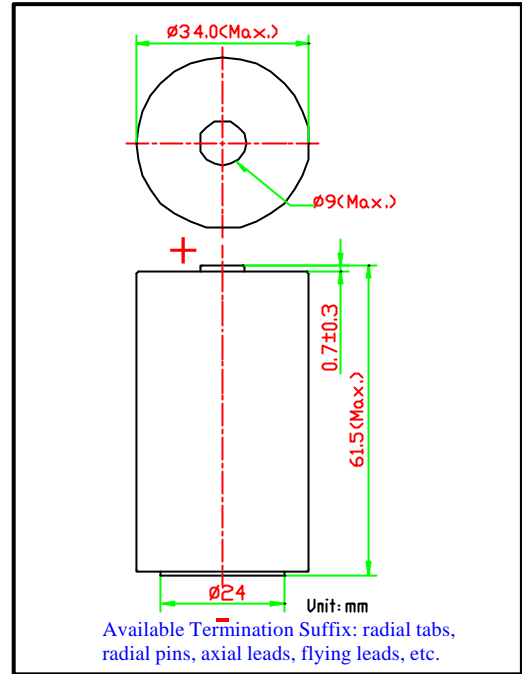
Cylindrical Lithium Battery

@ Specification

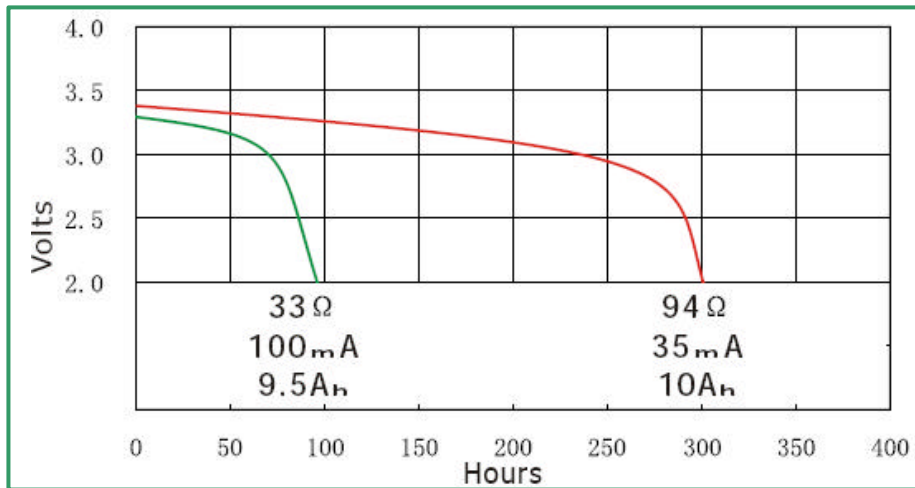
Reference Size: D

Nominal Voltage (V)		3.6
Dimensions	Diameter (mm)	34.0(Max.)
	Height (mm)	61.5(Max.)
	Apx. Weight (g)	110
Nominal Capacity (mAh)		10500
Maximum Continuous Discharge Current (mA)		200
Maximum pulse Discharge Current (mA)		----
Volume (cm ³)		56
Temperature Range (°C)		-20/150

@ Dimensions



@ Discharge Characteristics at 150°C



Add: No.2, Gutang'ao Industrial Area, Huizhou, Guangdong, China
P.C.: 516008
Tel: +86-752-2382997, +86-13502288850
Fax: +86-752-2382786
Website: www.cn-battery.net
E-mail: zhou01@yeah.net

