

ER34615M

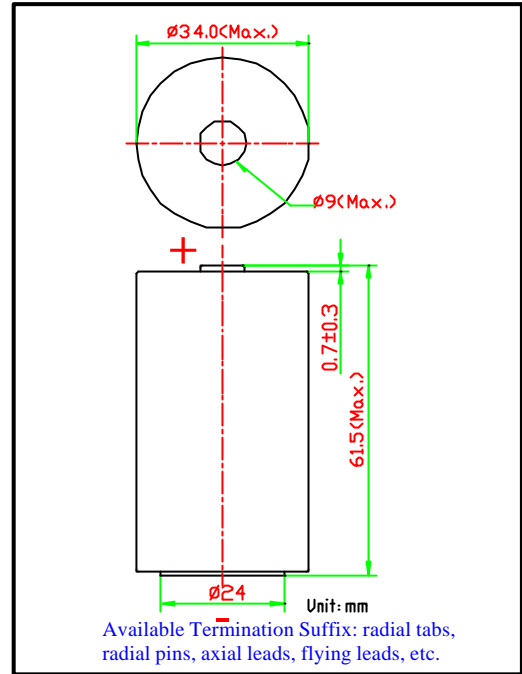
Cylindrical Lithium Battery

@ Specification

Reference Size: D

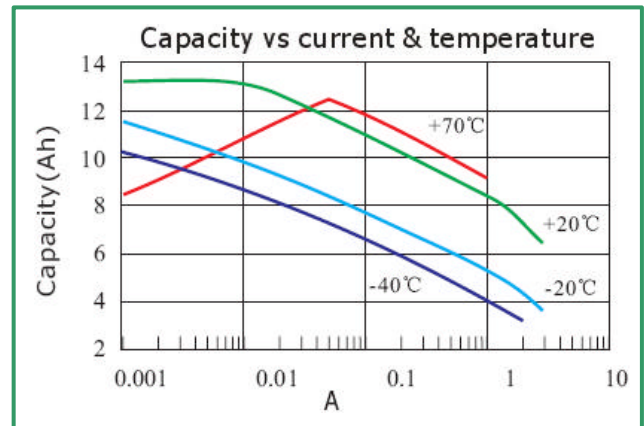
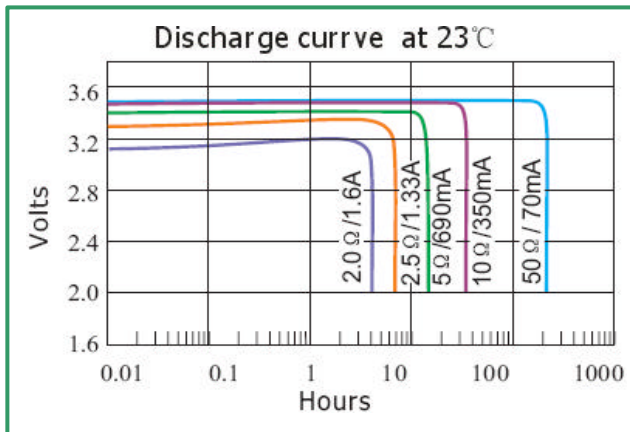
Nominal Voltage (V)		3.6
Dimensions	Diameter (mm)	34.0(Max.)
	Height (mm)	61.5(Max.)
	Apx. Weight (g)	102
Nominal Capacity (mAh)		10000
Maximum Continuous Discharge Current (mA)		1800
Maximum pulse Discharge Current (mA)		3500
Volume (cm ³)		56
Temperature Range (°C)		-55/75

@ Dimensions



@ Discharge Characteristics vs. Current

@ Capacity vs. Current & Temp.



Add: No.2, Gutang'ao Industrial Area, Huizhou, Guangdong, China
 P.C.: 516008
 Tel: +86-752-2382997, +86-13502288850
 Fax: +86-752-2382786
 Website: www.cn-battery.net
 E-mail: zhou01@yeah.net

