

ER26500

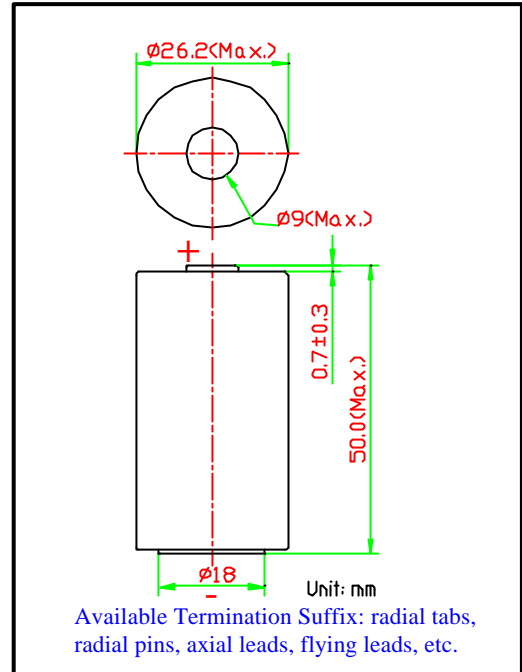
Cylindrical Lithium Battery

@ Specification

Reference Size: C

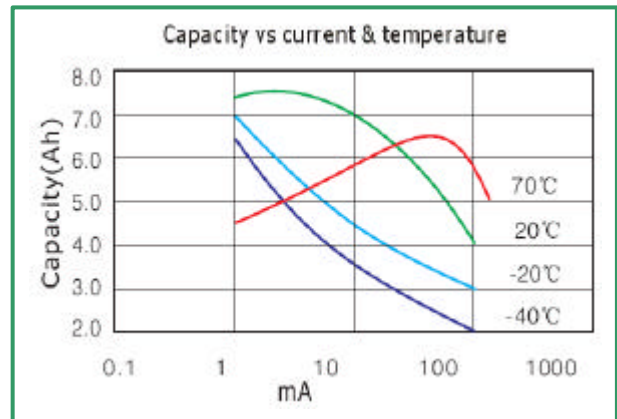
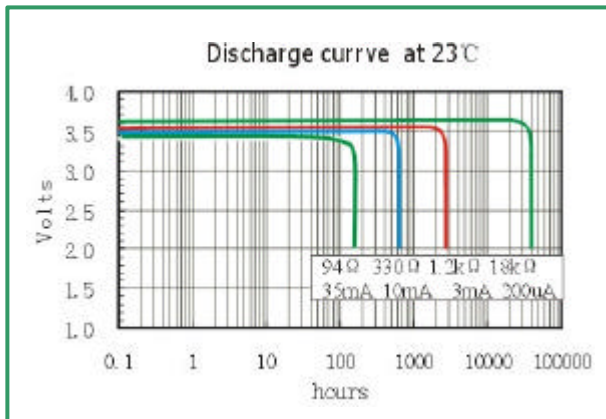
Nominal Voltage (V)		3.6
Dimensions	Diameter (mm)	26.2(Max.)
	Height (mm)	50.0(Max.)
	Apx. Weight (g)	52
Nominal Capacity (mAh)		7500
Maximum Continuous Discharge Current (mA)		230
Maximum pulse Discharge Current (mA)		400
Volume (cm ³)		27
Temperature Range (°C)		-55/85

@ Dimensions



@ Discharge Characteristics vs. Current

@ Capacity vs. Current & Temp.



Add: No.2, Gutang'ao Industrial Area, Huizhou, Guangdong, China
P.C.: 516008
Tel: +86-752-2382997, +86-13502288850
Fax: +86-752-2382786
Website: www.cn-battery.net
E-mail: zhou01@yeah.net

