

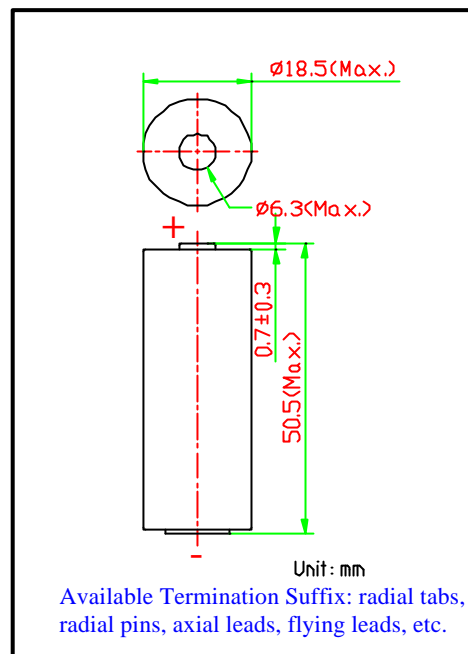
ER18505

Cylindrical Lithium Battery

@ Specification

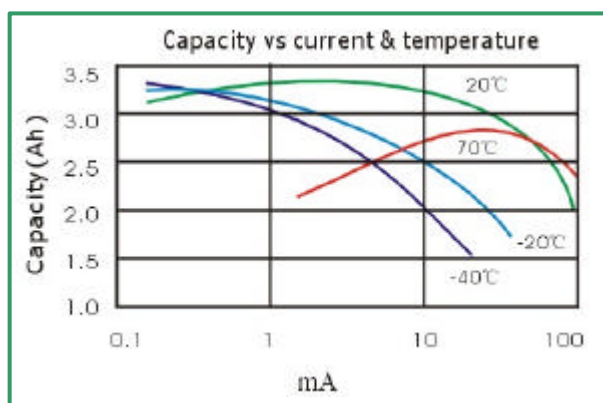
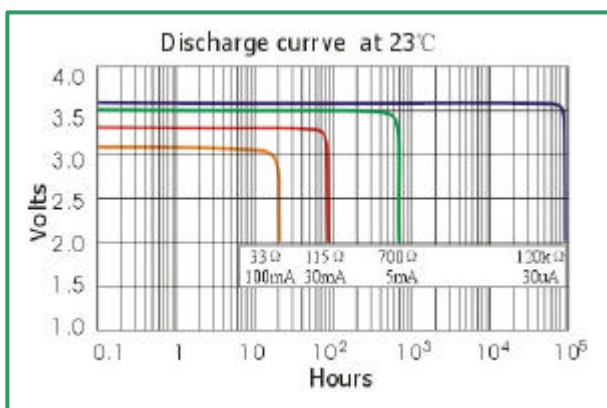
Nominal Voltage (V)		3.6
Dimensions	Diameter (mm)	18.5(Max.)
	Height (mm)	50.5(Max.)
	Apx. Weight (g)	32
Nominal Capacity (mAh)		3500
Maximum Continuous Discharge Current (mA)		100
Maximum pulse Discharge Current (mA)		200
Volume (cm ³)		13.5
Temperature Range (°C)		-55/85

@ Dimensions



@ Discharge Characteristics vs. Current

@ Capacity vs. Current & Temp.



Add: No.2, Gutang'ao Industrial Area, Huizhou, Guangdong, China
P.C.: 516008
Tel: +86-752-2382997, +86-13502288850
Fax: +86-752-2382786
Website: www.cn-battery.net
E-mail: zhou01@yeah.net

