

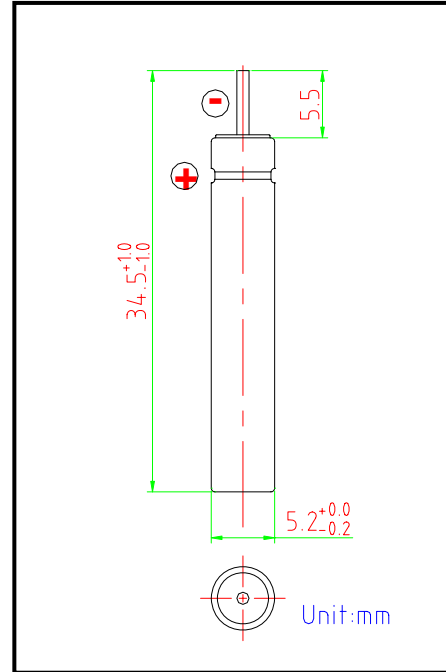
# CR535

## Cylindrical(Pin) Lithium Battery

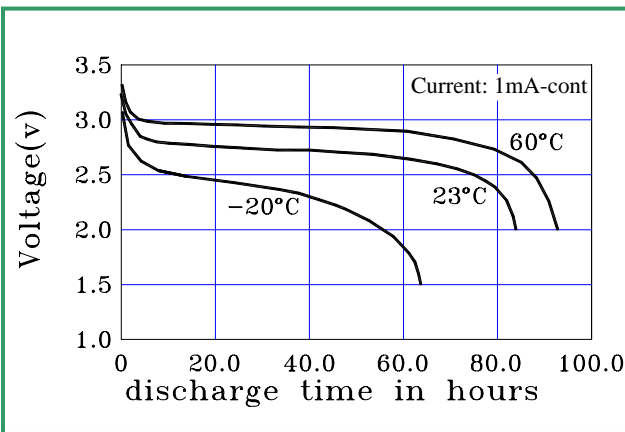
### @ Specification

Nominal Voltage (V)		3.0
Dimensions	Diameter (mm)	5.2 <sup>+0.0</sup> / <sub>-0.2</sub>
	Height (mm)	34.5 <sup>+1.0</sup> / <sub>-1.0</sub>
	Apx. Weight (g)	1.1
Standard Discharge Current (mA)		1.0
Nominal Capacity (mAh)		80
Maximum Continuous Discharge Current (mA)		7.0
Maximum pulse Discharge Current (mA)		-----
Temperature Range (°C)		-20/60

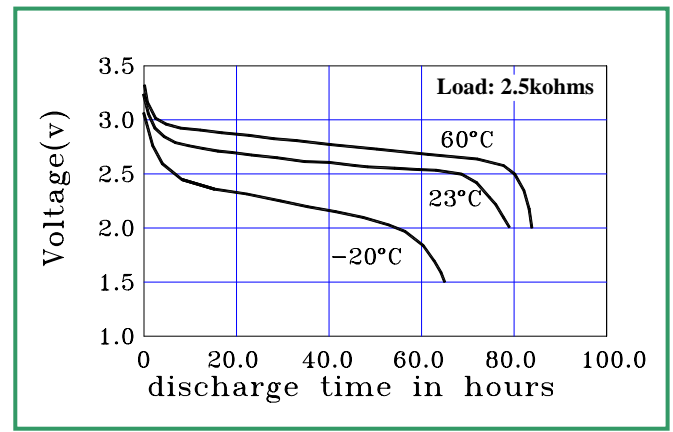
### @ Dimensions



### @ Discharge Characteristics vs. Temp.



### @ Discharge Characteristics vs. Temp.



Add: No.2, Gutang'ao Industrial Area, Huizhou, Guangdong, China  
P.C.: 516008  
Tel: +86-752-2652968, +86-13502288850  
Fax: +86-752-2652186  
Website: [www.cn-battery.net](http://www.cn-battery.net)  
E-mail: [zhou01@yeah.net](mailto:zhou01@yeah.net)

