

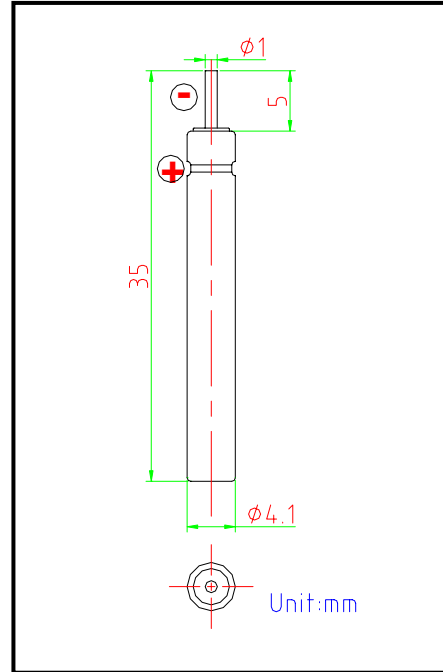
CR435

Cylindrical(Pin) Lithium Battery

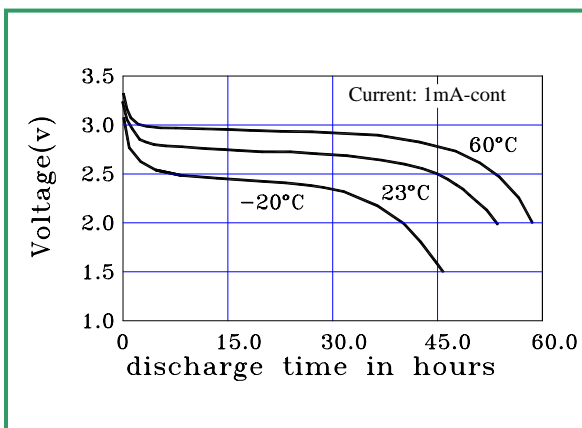
@ Specification

Nominal Voltage (V)		3.0
Dimensions	Diameter (mm)	4.1 ^{0.1} / _{-0.1}
	Height (mm)	35.0 ^{0.8} / _{-0.8}
	Weight (g)	0.85 ^{0.1} / _{-0.1}
Standard Discharge Current (mA)		1.0
Nominal Capacity (mAh)		50
Maximum Continuous Discharge Current (mA)		5.0
Maximum pulse Discharge Current (mA)		-----
Temperature Range (°C)		-20/60

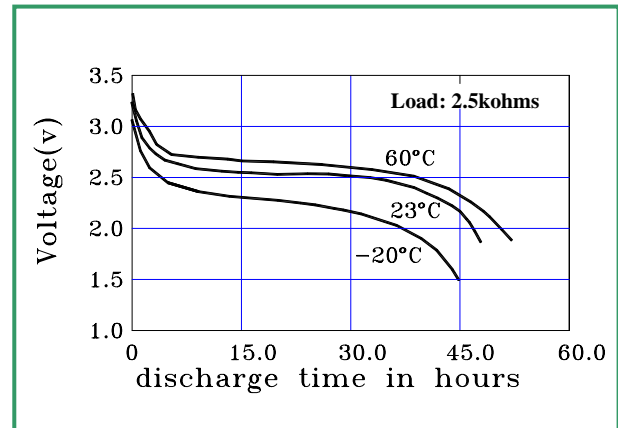
@ Dimensions



@ Discharge Characteristics vs. Temp.



@ Discharge Characteristics vs. Temp.



Add: No.2, Gutang'ao Industrial Area, Huizhou, Guangdong, China
P.C.: 516008
Tel: +86-752-2382997, +86-13502288850
Fax: +86-752-2382786
Website: www.cn-battery.net
E-mail: zhou01@yeah.net

