

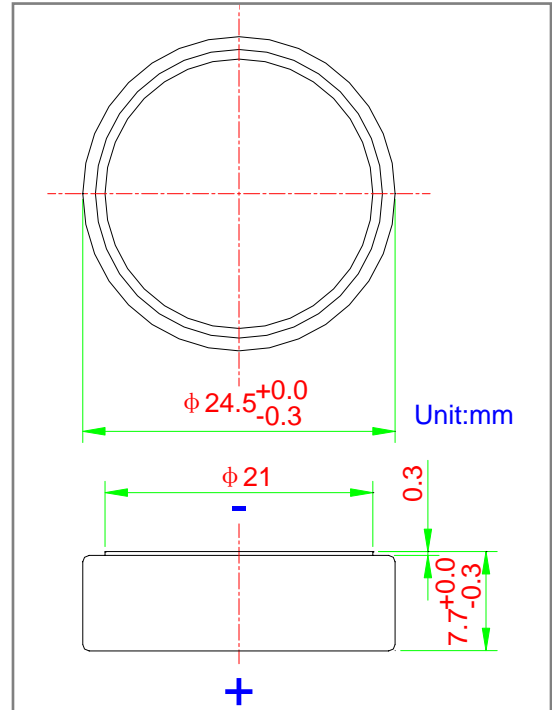
CR2477

Coin Lithium Battery

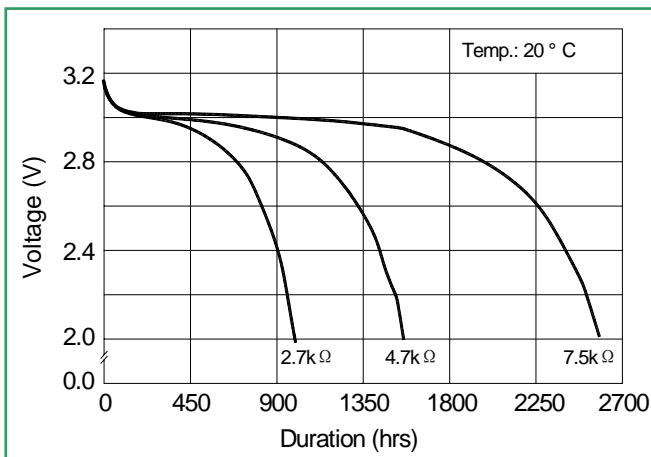
@ Specifications

Nominal Voltage		3.0 V
Dimensions	Diameter	$24.5^{+0}/_{-0.3}$ mm
	Height	$7.7^{+0}/_{-0.3}$ mm
	Apx. Weight	10.5 g
Standard Discharge Condition	Load	4.7 k ohms
	Temperature	20 °C
	Cut off volt.	2.0 V
Nominal Capacity		1000 mAh
Operating Temp.		-20 – 60 °C
Storage	Temperature	20 – 25 °C
	Relative Humidity	< 75%

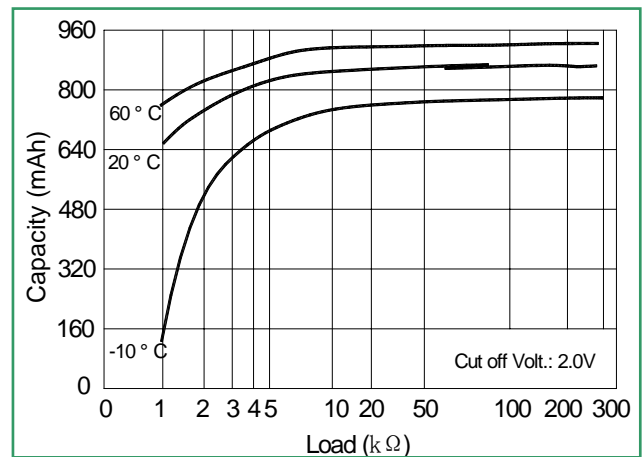
@ Dimensions



@ Discharge Characteristics vs. Load



@ Capacity vs. Load and Temp.



Add: No.2, Gutang'ao Industrial Area, Huizhou, Guangdong, China
P.C.: 516008
Tel: +86-752-2382997, +86-13502288850
Fax: +86-752-2382786
Website: www.cn-battery.net
E-mail: zhou01@yeah.net

