

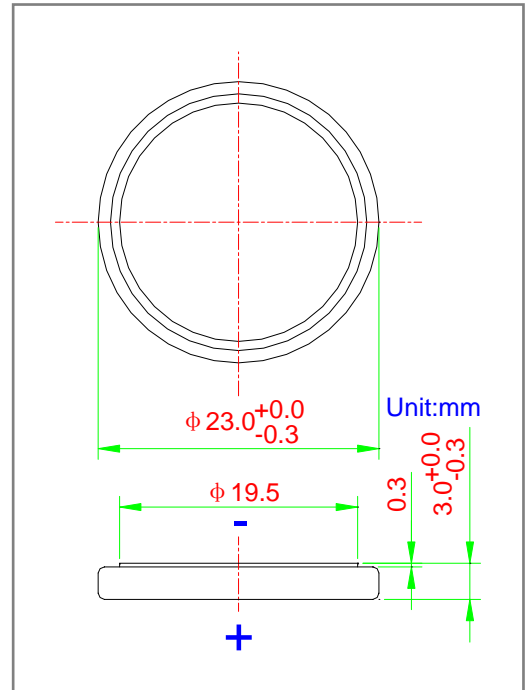
CR2330

Coin Lithium Battery

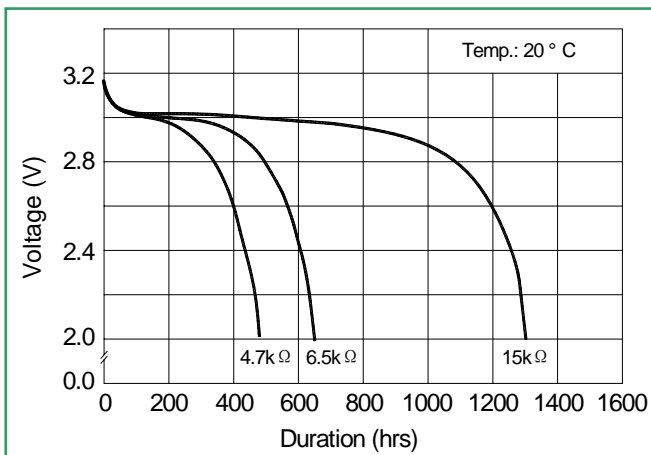
@ Specifications

Nominal Voltage		3.0 V
Dimensions	Diameter	$23.0^{+0}_{-0.3}$ mm
	Height	$3.0^{+0}_{-0.3}$ mm
	Apx. Weight	4.0 g
Standard Discharge Condition	Load	15 k ohms
	Temperature	20 °C
	Cut off volt.	2.0 V
Nominal Capacity		250 mAh
Operating Temp.		-20 – 60 °C
Storage	Temperature	20 – 25 °C
	Relative Humidity	< 75%

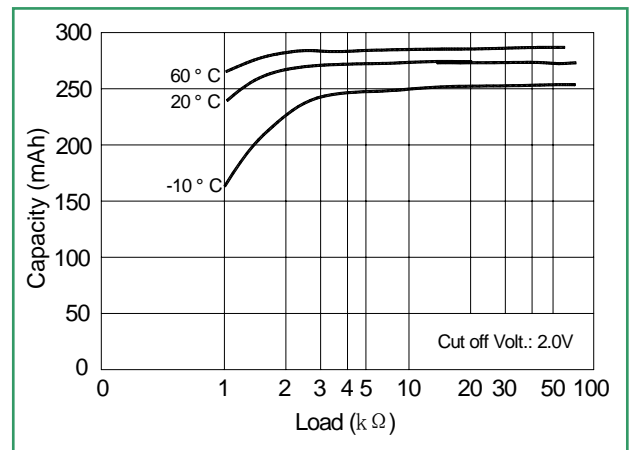
@ Dimensions



@ Discharge Characteristics vs. Load



@ Capacity vs. Load and Temp.



Add: No.2, Gutang'ao Industrial Area, Huizhou, Guangdong, China
P.C.: 516008
Tel: +86-752-2382997, +86-13502288850
Fax: +86-752-2382786
Website: www.cn-battery.net
E-mail: zhou01@yeah.net

