

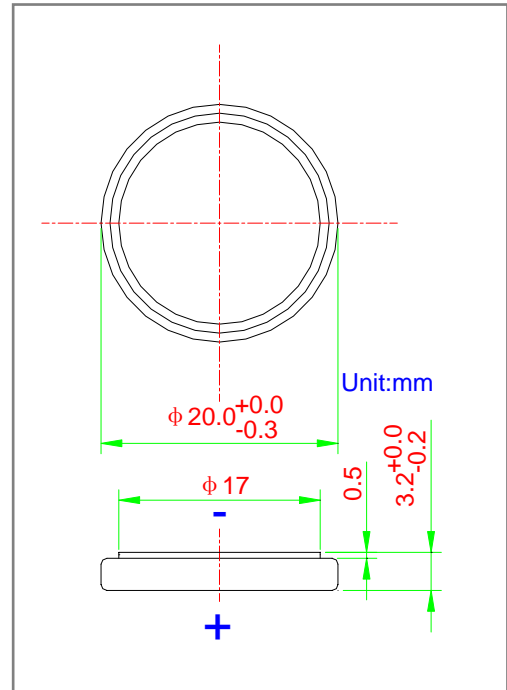
CR2032

Coin Lithium Battery

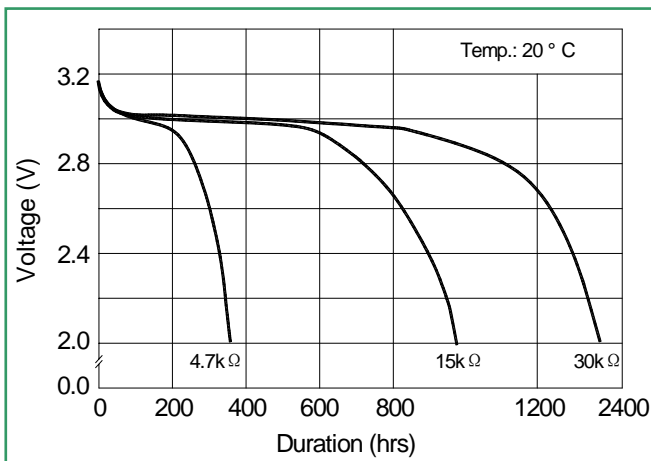
@ Specifications

Nominal Voltage		3.0 V
Dimensions	Diameter	20.0^{+0/-0.3} mm
	Height	3.2^{+0/-0.2} mm
	Apx. Weight	3.1 g
Standard Discharge Condition	Load	15 k ohms
	Temperature	20 °C
	Cut off volt.	2.0 V
Nominal Capacity		210 mAh
Operating Temp.		-20 – 60 °C
Storage	Temperature	20 – 25 °C
	Relative Humidity	< 75%

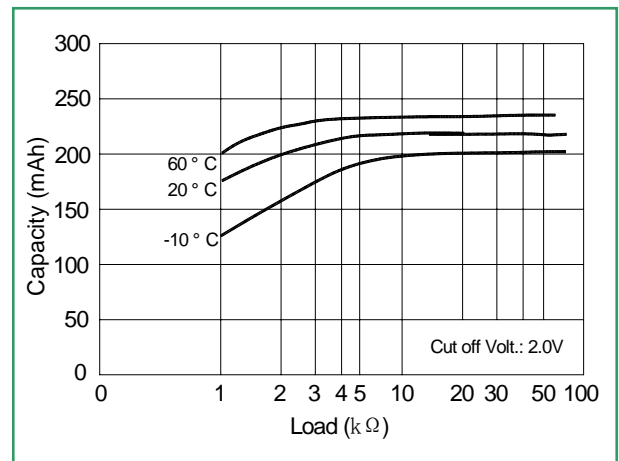
@ Dimensions



@ Discharge Characteristics vs. Load



@ Capacity vs. Load and Temp.



Add: No.48 B Zone, Pingnan Industrial Park, Huizhou, Guangdong, China
P.C.: 516006
Tel: +86-752-2652968, +86-13502288850
Fax: +86-752-2652186
Website: www.cn-battery.net
E-mail: zhou01@yeah.net

