

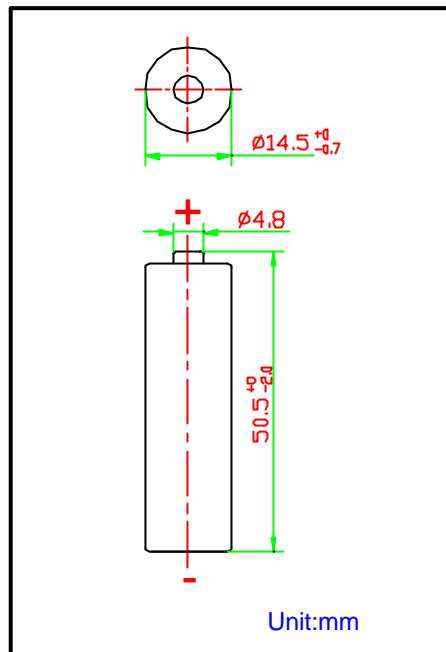
CR14505

Cylindrical Lithium Battery

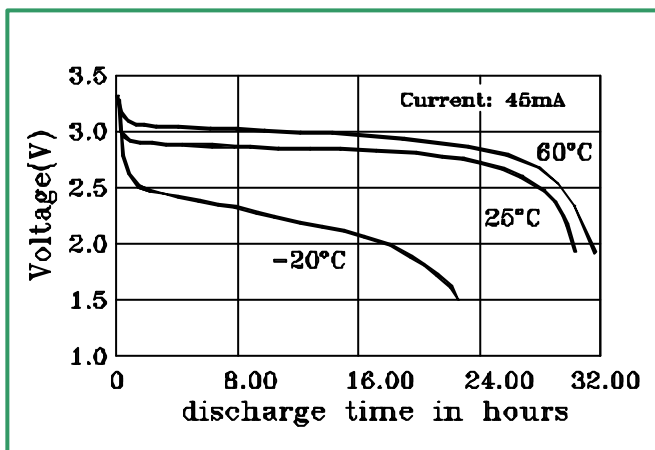
@ Specification

Nominal Voltage (V)		3.0
Dimensions	Diameter (mm)	14.5 ⁺⁰ / _{-0.7}
	Height (mm)	50.5 ⁺⁰ / _{-2.0}
	Apx. Weight (g)	18
Standard Discharge Current (mA)		10
Nominal Capacity (mAh)		1500
Maximum Continuous Discharge Current (mA)		100
Maximum pulse Discharge Current (mA)		3000
Temperature Range (°C)		-40/70

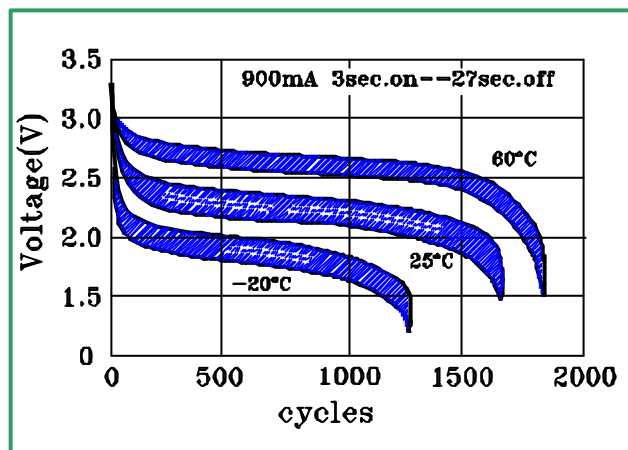
@ Dimensions



@ Discharge Characteristics vs. Temp.



@ Pulse Discharge Characteristics



Add: No.2, Gutang'ao Industrial Area, Huizhou, Guangdong, China
P.C.: 516008
Tel: +86-752-2382997, +86-13502288850
Fax: +86-752-2382786
Website: www.cn-battery.net
E-mail: sales@cn-battery.net

