

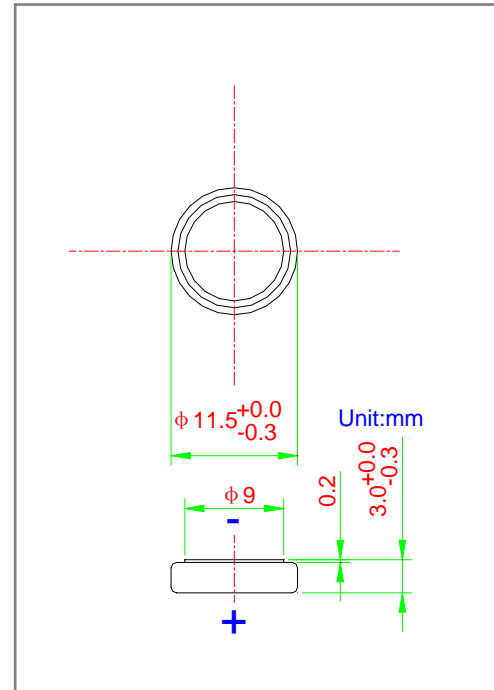
# CR1130

## Coin Lithium Battery

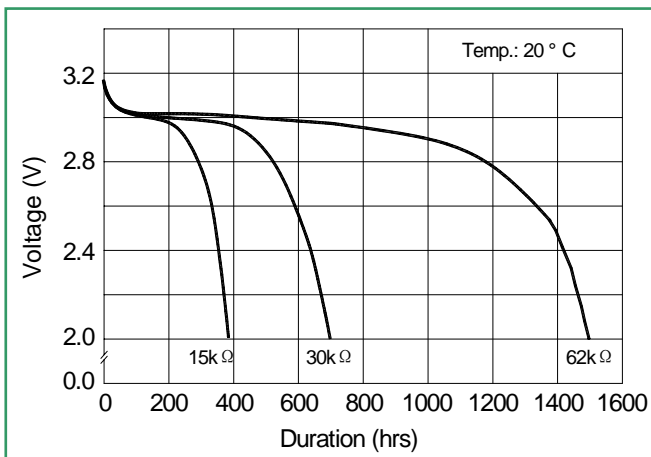
### @ Specifications

<b>Nominal Voltage</b>		<b>3.0 V</b>
<b>Dimensions</b>	<b>Diameter</b>	<b>11.5<sup>+0/-0.3</sup> mm</b>
	<b>Height</b>	<b>3.0<sup>+0/-0.3</sup> mm</b>
	<b>Apx. Weight</b>	<b>1 g</b>
<b>Standard Discharge Condition</b>	<b>Load</b>	<b>62 k ohms</b>
	<b>Temperature</b>	<b>20 °C</b>
	<b>Cut off volt.</b>	<b>2.0 V</b>
<b>Nominal Capacity</b>		<b>60 mAh</b>
<b>Operating Temp.</b>		<b>-20 – 60 °C</b>
<b>Storage</b>	<b>Temperature</b>	<b>20 – 25 °C</b>
	<b>Relative Humidity</b>	<b>&lt; 75%</b>

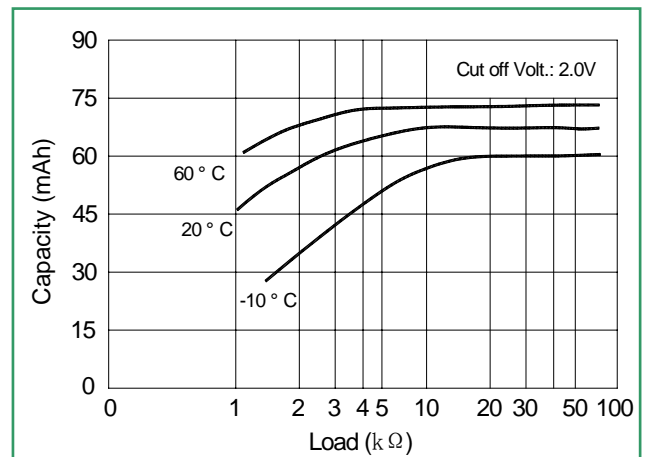
### @ Dimensions



### @ Discharge Characteristics vs. Load



### @ Capacity vs. Load and Temp.



**Add:** No.2, Gutang'ao Industrial Area, Huizhou, Guangdong, China  
**P.C.:** 516008  
**Tel:** +86-752-2382997, +86-13502288850  
**Fax:** +86-752-2382786  
**Website:** [www.cn-battery.net](http://www.cn-battery.net)  
**E-mail:** [zhou01@yeah.net](mailto:zhou01@yeah.net)

