

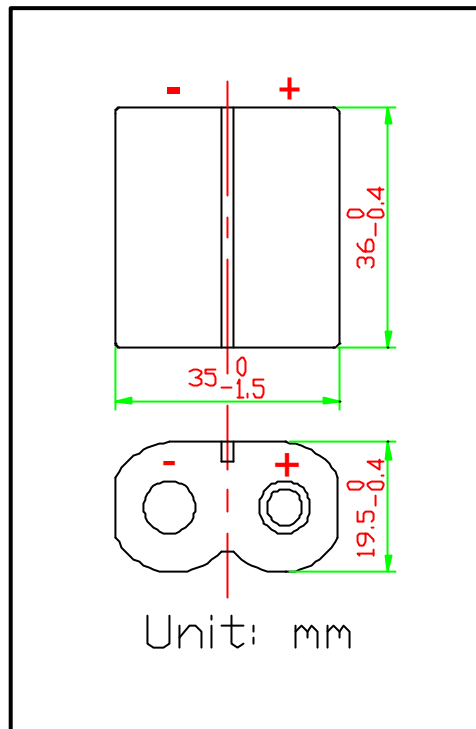
**CR-P2**

**Cylindrical Lithium Battery**

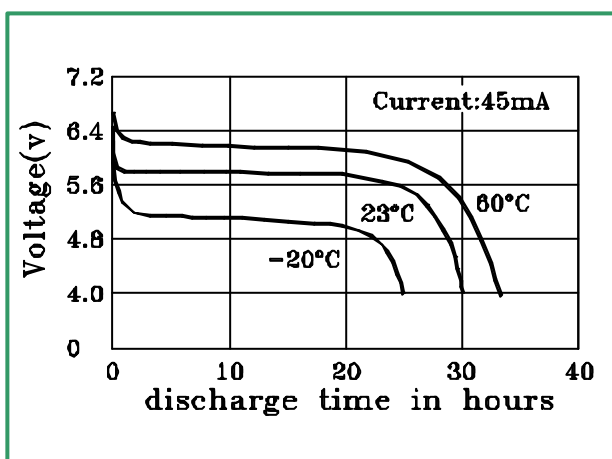
@ Specification

<b>Nominal Voltage (V)</b>		<b>6.0</b>
<b>Dimensions</b>	<b>Length (mm)</b>	<b>35<sup>0</sup>/<sub>-1.5</sub></b>
	<b>Width (mm)</b>	<b>19.5<sup>0</sup>/<sub>-0.4</sub></b>
	<b>Height (mm)</b>	<b>36<sup>0</sup>/<sub>-0.4</sub></b>
	<b>Apx. Weight (g)</b>	<b>41</b>
<b>Standard Discharge Current (mA)</b>		<b>10</b>
<b>Nominal Capacity (mAh)</b>		<b>1400</b>
<b>Maximum Continuous Discharge Current (mA)</b>		<b>1000</b>
<b>Maximum pulse Discharge Current (mA)</b>		<b>3000</b>
<b>Temperature Range (°C)</b>		<b>-40/70</b>

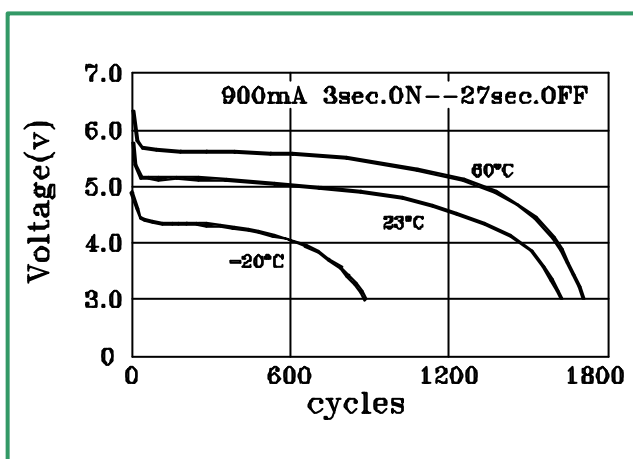
@ Dimensions



@ Discharge Characteristics vs. Temp.



@ Pulse Discharge Characteristics



Add: No.2, Gutang'ao Industrial Area, Huizhou, Guangdong, China  
P.C.: 516008  
Tel: +86-752-2382997, +86-13502288850  
Fax: +86-752-2382786  
Website: [www.cn-battery.net](http://www.cn-battery.net)  
E-mail: [zhou01@yeah.net](mailto:zhou01@yeah.net)

