

CR1/3N

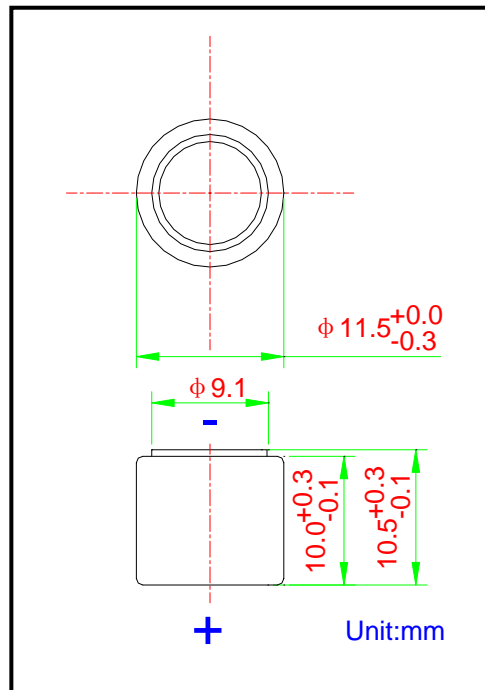
Cylindrical Lithium Battery

@ Specification

Reference cross: CR11108

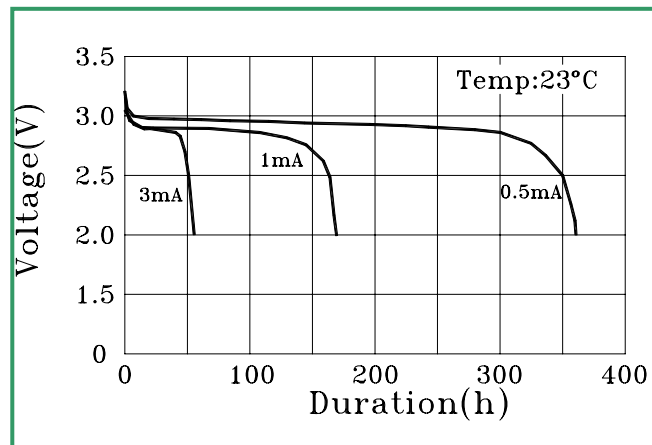
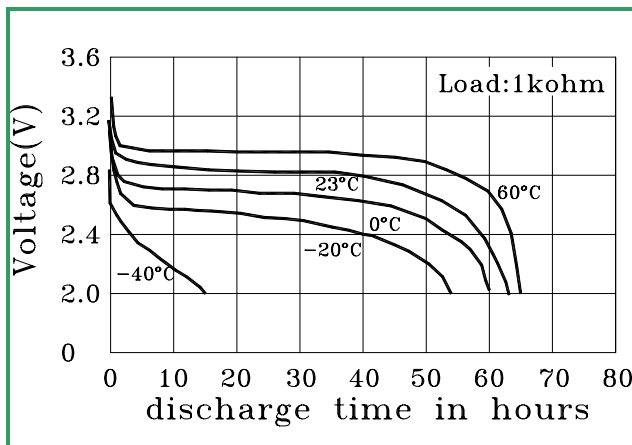
@ Dimensions

Nominal Voltage (V)		3.0
Dimensions	Diameter (mm)	11.5+/-0.1
	Height (mm)	10.5^{+0.3}/_{-0.1}
	Apx. Weight (g)	3.2
Standard Discharge Current (mA)		3
Nominal Capacity (mAh)		170
Maximum Continuous Discharge Current (mA)		60
Maximum pulse Discharge Current (mA)		80
Temperature Range (°C)		-40/60



@ Discharge Characteristics vs. Temp.

@ Discharge Characteristics vs. Load



Add: No.48 B Zone, Pingnan Industrial Park, Zhongkai Avenue, Huizhou, Guangdong, China

P.C.: 516006

Tel: +86-752-2652968, +86-13502288850

Fax: +86-752-2652186

Website: www.cn-battery.net

E-mail: zhou01@yeah.net

