

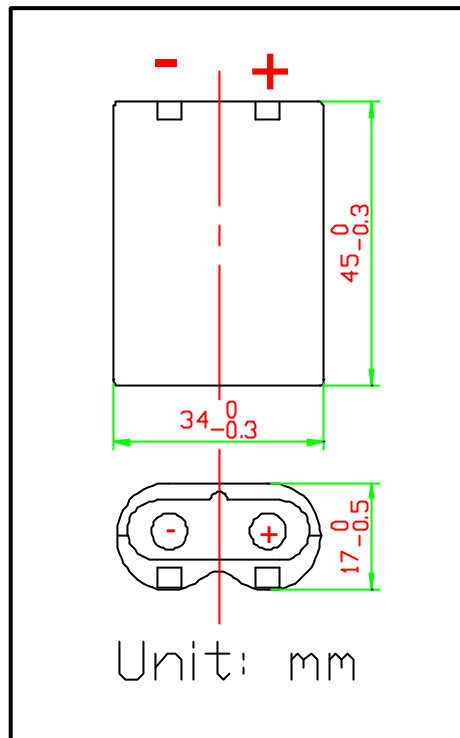
# 2CR5

## Cylindrical Lithium Battery

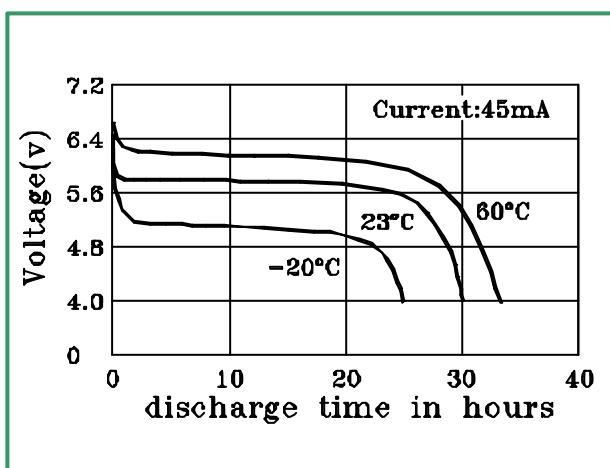
### @ Specification

Nominal Voltage (V)		6.0
Dimensions	Length (mm)	34 <sup>0</sup> / <sub>-0.3</sub>
	Width (mm)	17 <sup>0</sup> / <sub>-0.5</sub>
	Height (mm)	45 <sup>0</sup> / <sub>-0.3</sub>
	Apx. Weight (g)	43
Standard Discharge Current (mA)		10
Nominal Capacity (mAh)		1400
Maximum Continuous Discharge Current (mA)		1000
Maximum pulse Discharge Current (mA)		3000
Temperature Range (°C)		-40/70

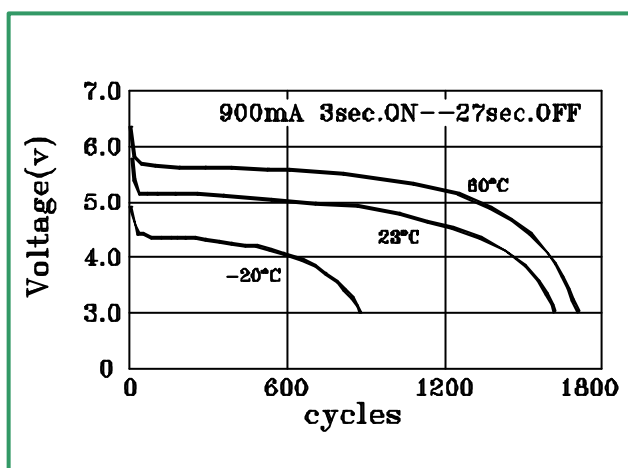
### @ Dimensions



### @ Discharge Characteristics vs. Temp.



### @ Pulse Discharge Characteristics



Add: No.2, Gutang'ao Industrial Area, Huizhou, Guangdong, China  
P.C.: 516008  
Tel: +86-752-2382997, +86-13502288850  
Fax: +86-752-2382786  
Website: [www.cn-battery.net](http://www.cn-battery.net)  
E-mail: [zhou01@yeah.net](mailto:zhou01@yeah.net)

