

FR10445

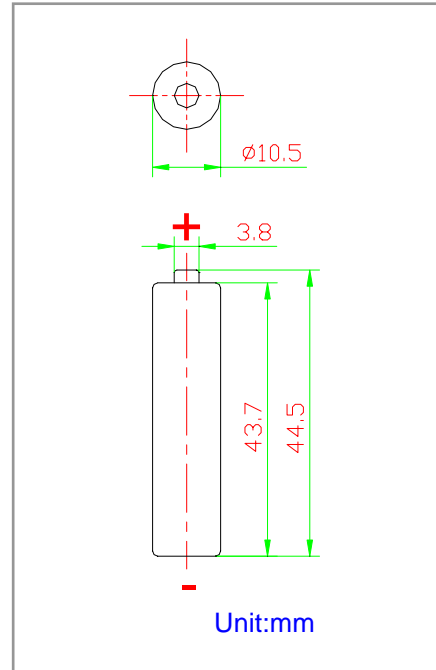
Cylindrical Lithium Battery

@ Specification

Reference Size: AAA

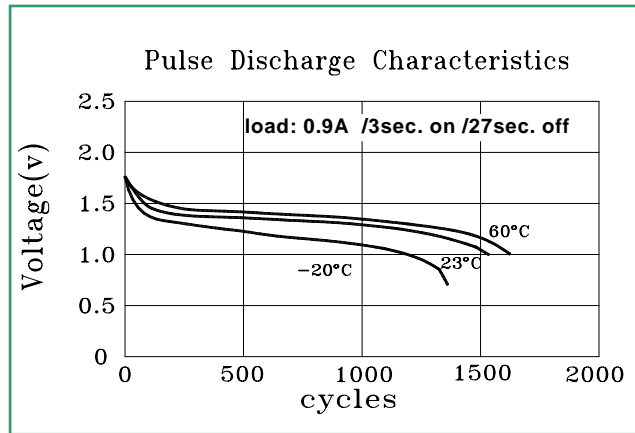
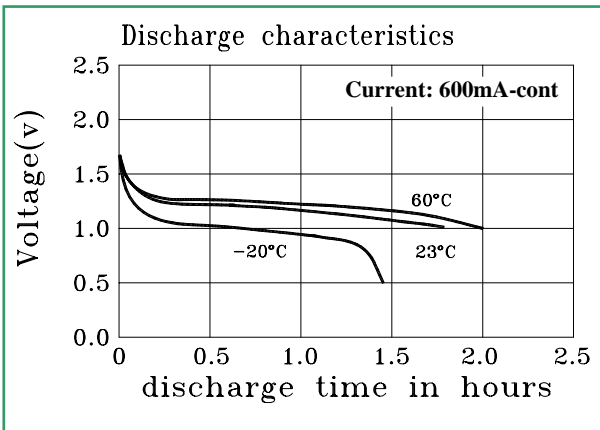
Dimensions	Nominal Voltage (V)	1.5
	Diameter (mm)	10.0 Max.
	Height (mm)	44.5 Max.
	Apx. Weight (g)	7.6
	Standard Discharge Current (mA)	100
	Nominal Capacity (mAh)	1250
	Maximum Continuous Discharge Current (mA)	600
	Maximum pulse Discharge Current (mA)	1000
	Temperature Range (°C)	-40/60

@ Dimensions



@ Discharge Characteristics vs. Temp.

@ Pulse Discharge Characteristics



Add: No.2, Gutang'ao Industrial Area, Huizhou, Guangdong, China
P.C.: 516008
Tel: +86-752-2382997, +86-13502288850
Fax: +86-752-2382786
Website: www.cn-battery.net
E-mail: zhou01@yeah.net

